



# Installer and user's manual MONOBLOCO 300

## PRE-INSTALLATION INFO

### Necessary tools



### IMPORTANT



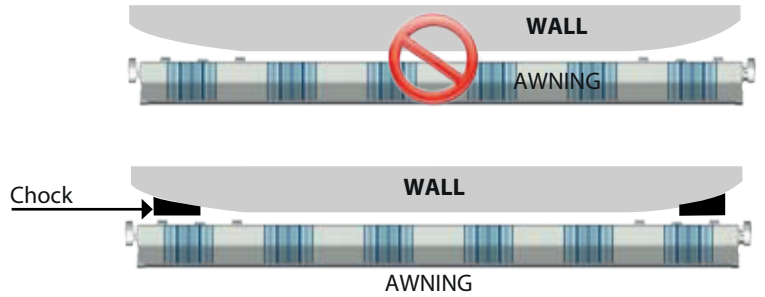
**ATTENTION:** for your security, don't open the awning before finishing the installation.



**Before the application**, check the wall leveling where you will apply the awning. In case the wall is hollow or curved, apply chocks to align it correctly.

### Wall brackets fixation

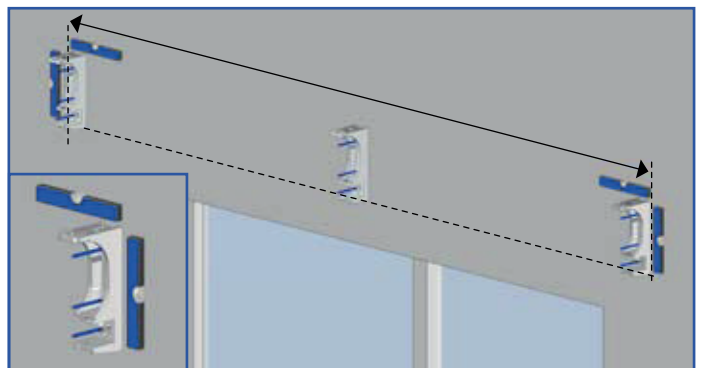
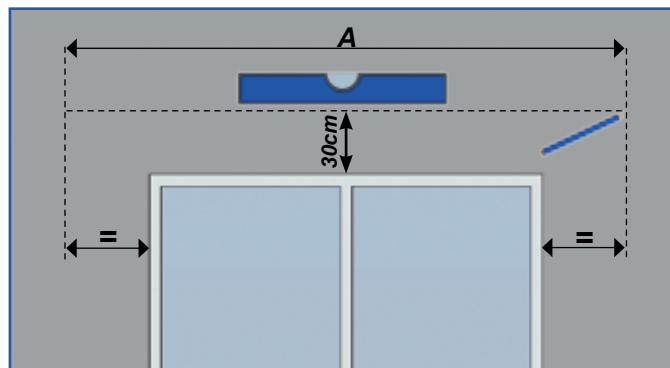
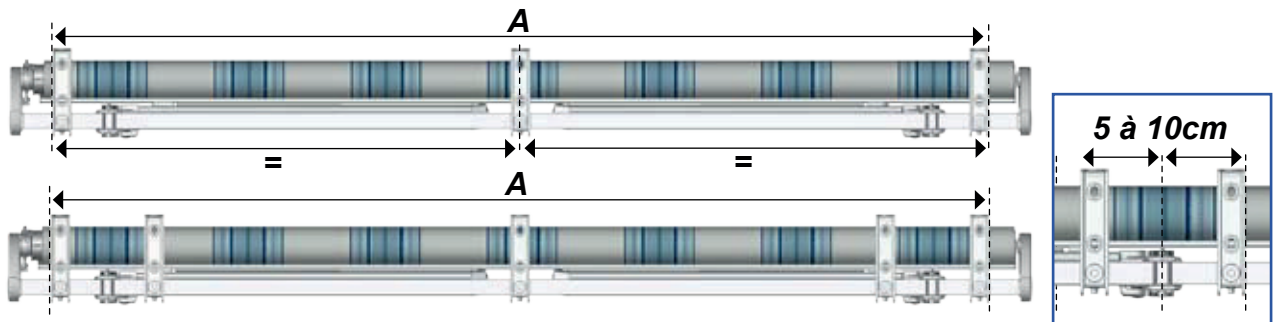
No. of wall brackets	Awning dimensions (mm)
2	3000
3	3000 a 4500
4	4500 a 5000
5	5500 a 6000
6	6500 a 7000

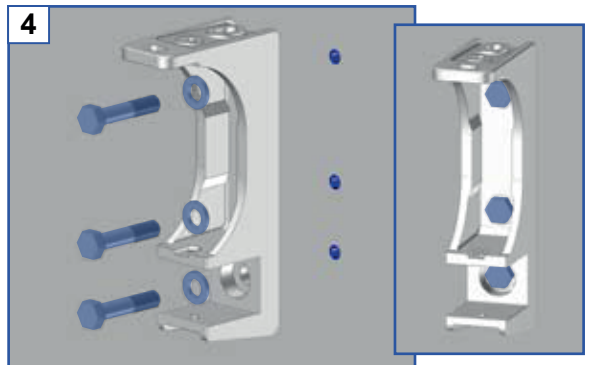
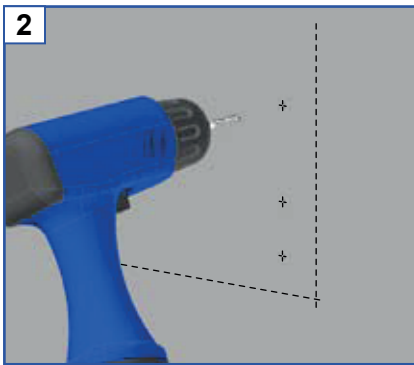


## WALL INSTALLATION

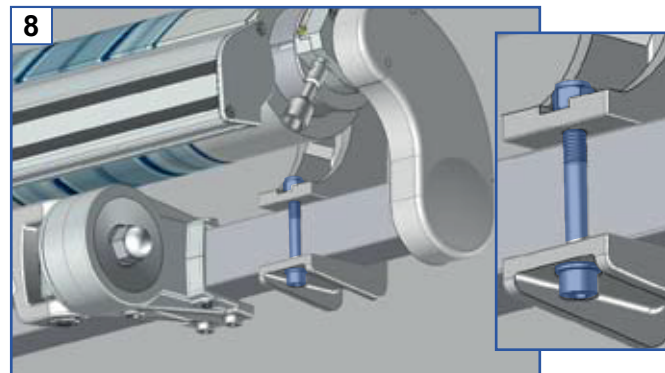
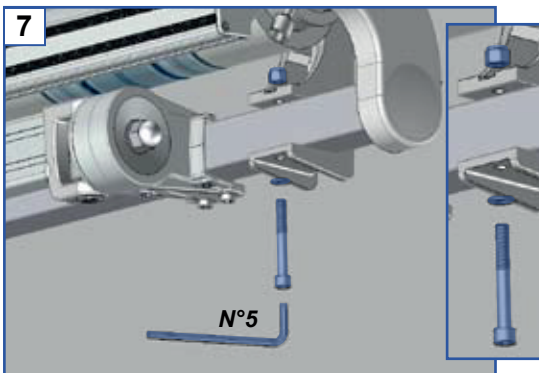
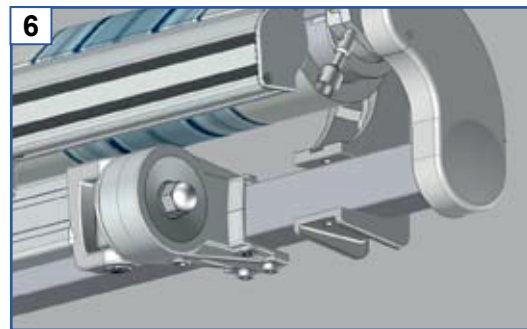
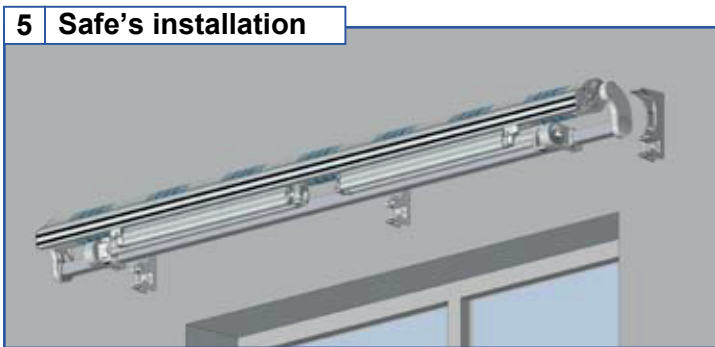
### 1 Dimensions

The number of supports changes according to the awning's width.

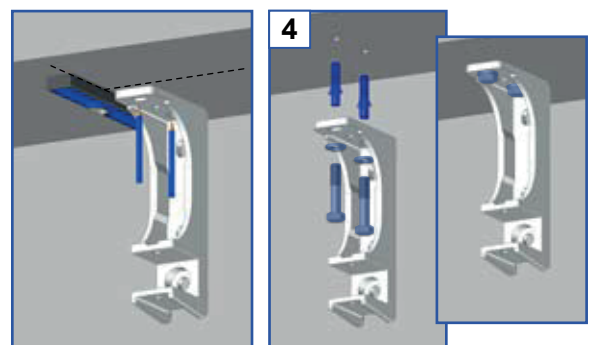
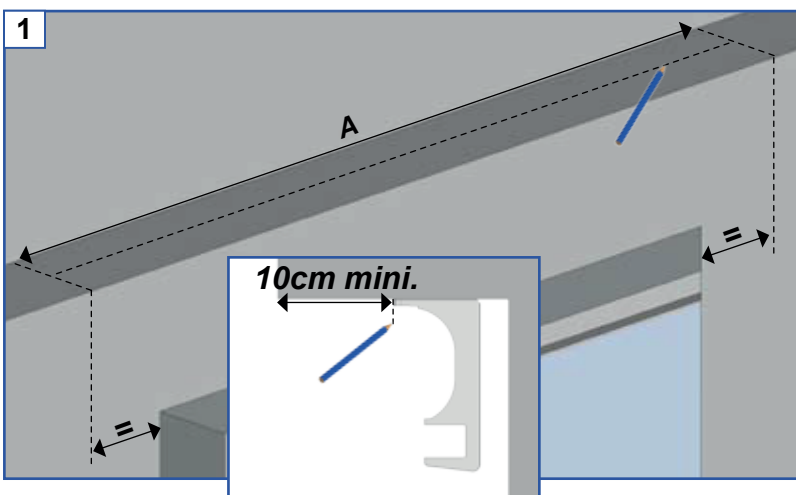




Fixation with Ø12mm screws. Screws Kit, anchors and washers are not included/provided.



## CEILING INSTALLATION

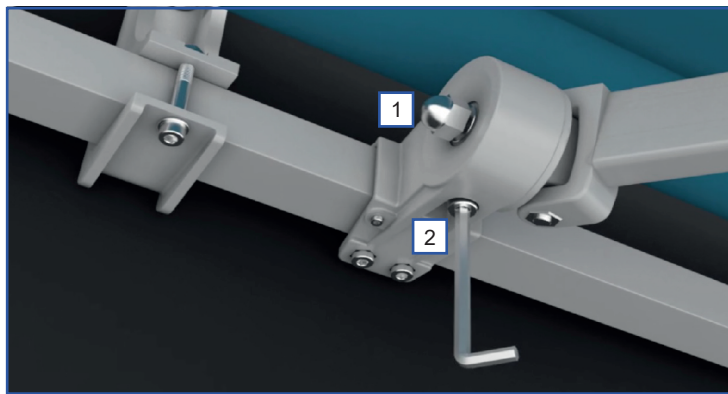
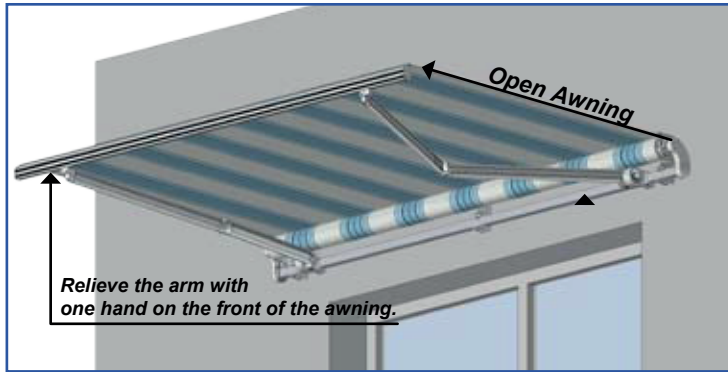


Fixation with Ø12mm screws. Screws Kit, anchors and washers are not included/provided.

CEILING INSTALLATION : Perform the same from **1** to **8**.

# REGULATION

## A Arm inclination adjustment.

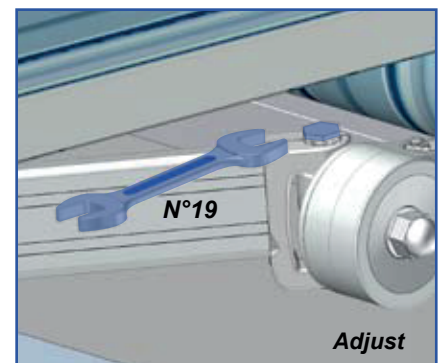
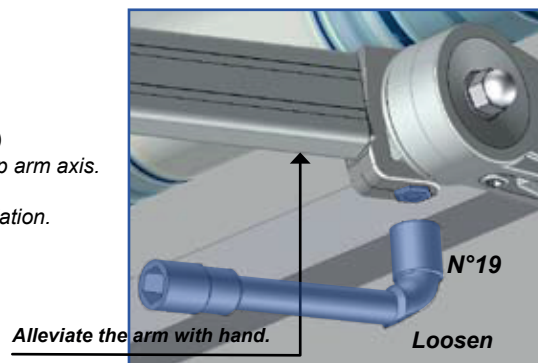


1. Using a n° 19 spanner, slightly loosen the indicated screw on both sides of the awning.
2. With an Umbrako n° 6 wrench, adjust the inclination<sup>1</sup>.
3. Retighten the screws indicated in step 1.

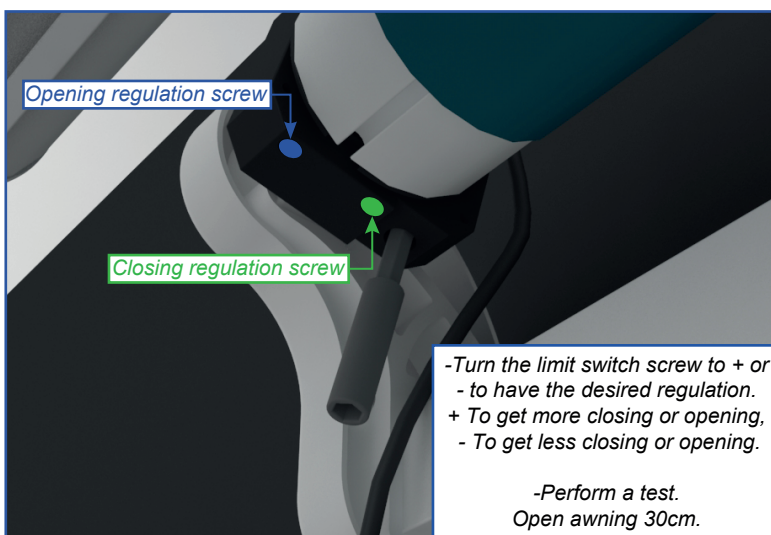
<sup>1</sup> In a clockwise direction, the awning goes up. In the opposite direction, the awning descends.

## B Articulation adjustment.

- Awning open on 50cm.  
 -Loosen the nut  
 (don't loosen in its totality)  
 -Hit with a hammer on nut to bring up arm axis.  
 -Adjust the articulation.  
 -Tighten the ring after the regulation.

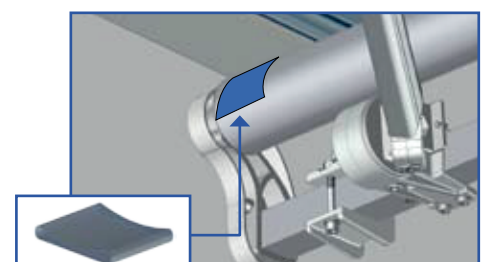


## C Limit-switch adjustment



## D Plastic chocks to the fabric.

- The terminal doesn't close in a side of the awning corners. Open the awning completely. Utilise the maneuvering area for a motor. Insert plastic chocks, folded in two, between the winding tube and the fabric. The plastic chocks should be positioned on the fabric ends. Check closing. If the closing is not ideal, repeat the operation, raising the number of plastic chocks.



# INFORMATION TO THE CONSUMER

## Awning maintenance advice

An awning is subject to some adverse situations: humidity, sea breeze, counterweight, wind ...  
We recommend that:

- ▶ Check the tightening of the screws and the limit switch after installation and regularly at the beginning and end of each season.
- ▶ Never close a wet awning. Dry it if possible.
- ▶ Clean the fabric and the frame at the beginning and end of each season. Caution: never use detergents.

### ▶ To know :

The limit switch inclination and regulation (for awnings with electrical maneuvers) are pre-regulated during the use. They are susceptible to be modified for use as shown in regulation.

A small flexion of the terminal could happen (4 to 5 cm). It is related with the arm main impulse and the fabric may be loose in the central area .

A small difference of fabric fibers could be detected between two awnings when they were not acquired at the same time.

Folds or other effects may appear on the fabric. This not decrease away from the quality and effectiveness of the awning.

Ripples may appear on the fabric due to excess thickness caused by seams and hems which cause tensions on the winding tube.

Use the emergency operation only in the event of a power failure, to close the awning. Using the emergency operation at presence of energy will deregulate the motors's limit switch end of the engine stroke. After using the security operation, make sure the handle is in the spare outlet axis.

For electrical installation with an unstable switch, make sure you leave it in stop position after each use.

## Problems

## Causes

## Solutions

The awning balcony disintegrated from the structure.	Screws are not the most appropriate.	<ul style="list-style-type: none"> <li>▶ Check proper placement of the supports (according to the manual's instructions)</li> <li>▶ In case of fixing with a chemical seal, report to the manufacturer.</li> </ul>
The fabric is not leveled.		<ul style="list-style-type: none"> <li>▶ Check the level of the mounting brackets. Repeat fixation with a level.</li> <li>▶ Check the level of the front bar. Rectify the adjustment of arm inclination. (paragraph A)</li> </ul>
The front profile is not closed the entire length.	Fabric deformation after several uses. Bad regulation of the front profile or the arm articulation.	<ul style="list-style-type: none"> <li>▶ Motor limit switch regulation. (paragraph C)</li> <li>▶ Articulation adjustment (paragraph B)</li> </ul>
The front profile is not closed on one side.	Fabric deformation. (Natural effect)	<ul style="list-style-type: none"> <li>▶ Proceed to plastic chocks installation. (paragraph D)</li> </ul>
Electric awning maneuvers do not work.	The engine is placed in thermal protection after 2 descents and a 1 rise successives.	<ul style="list-style-type: none"> <li>▶ Wait until the protection's end (20 minutes).</li> </ul>
Electric awning maneuvers do not work.	Connection problem.	<ul style="list-style-type: none"> <li>▶ Check the motor connection.</li> <li>▶ Check engine operation by connecting directly to the power input. (black or brown blue blue).</li> </ul>

## Don't install in case of:



Nothing suspended

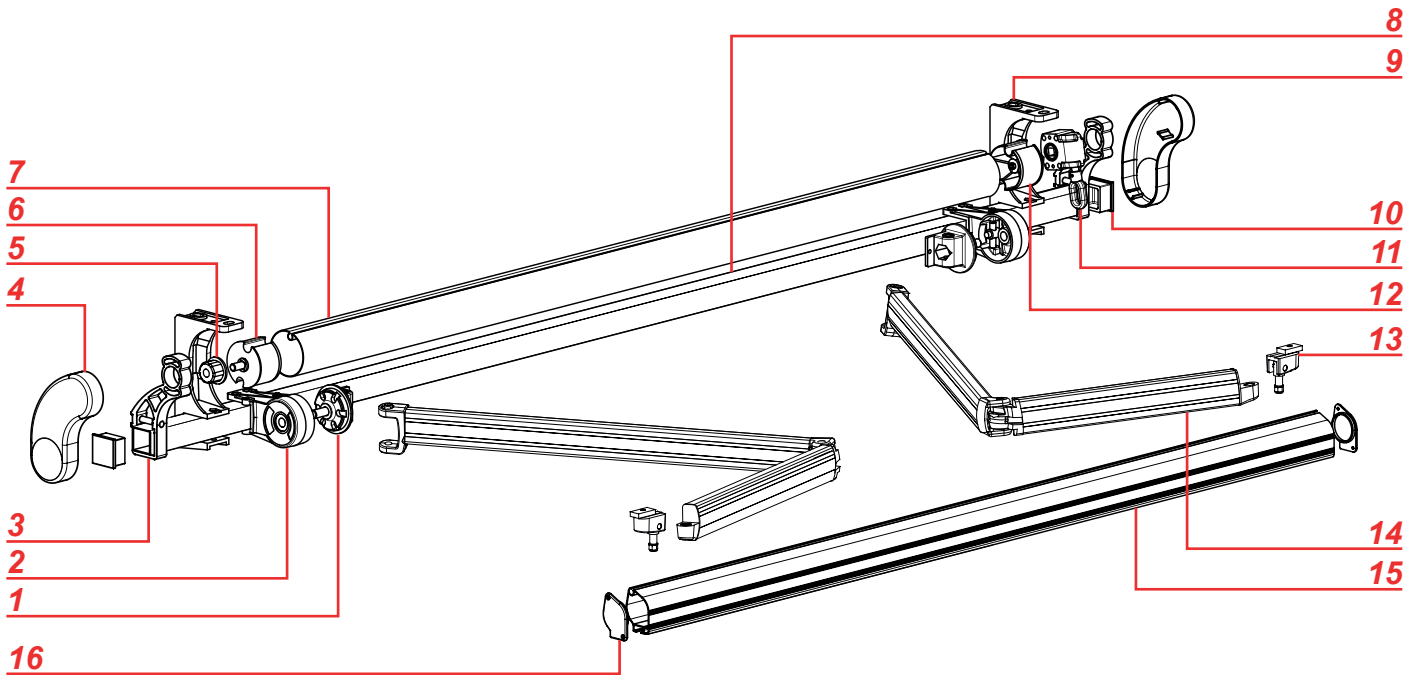
CE		EN 13561 table ZA.1 Exterior Awning Wind resistant									
		Awning width									
		2,5	3	3,5	4	4,5	5	5,5	6	6,5	7
Awning projection	1,5	CLASS 2	CLASS 1	CLASS 1	CLASS 1	CLASS 1	CLASS 1	CLASS 1	CLASS 1	CLASS 1	CLASS 1
	2	CLASS 2	CLASS 1	CLASS 1	CLASS 1	CLASS 1	CLASS 1	CLASS 1	CLASS 1	CLASS 1	CLASS 1
	2,5	CLASS 2	CLASS 1	CLASS 1	CLASS 1	CLASS 1	CLASS 1	CLASS 1	CLASS 1	CLASS 1	CLASS 1
	3	CLASS 2	CLASS 1	CLASS 1	CLASS 1	CLASS 1	CLASS 1	CLASS 1	CLASS 1	CLASS 1	CLASS 1
	3,5	CLASS 2	CLASS 1	CLASS 1	CLASS 1	CLASS 1	CLASS 1	CLASS 1	CLASS 1	CLASS 1	CLASS 1

CLASS 2

CLASS 1

CLASS 0

# EXPLODED VIEW



Number	Reference	Designation
1	DI18AR	Arm regulation disc
2	0305A	Arm support
3	0302EX	Winding tube support
4	EB0302P	Plastic cover 0302EX
5	CU16P	Bushing
6	EOI178	Ø78mm rolling tube with round shaft
7	TO78	Ø78mm rolling tube
8	TAC40	Square tube 40x40
9	0301A	Wall supports
10	EC40	Plastic top TAC40
11	TA1/9	Crank 1/9
12	EOI378	Ø78mm bushing with round shaft
13	EI12302	Set support arm
14	BOFYDC	Arm
15	PU36	Frontal profile
16	EB36P	Frontal profile top