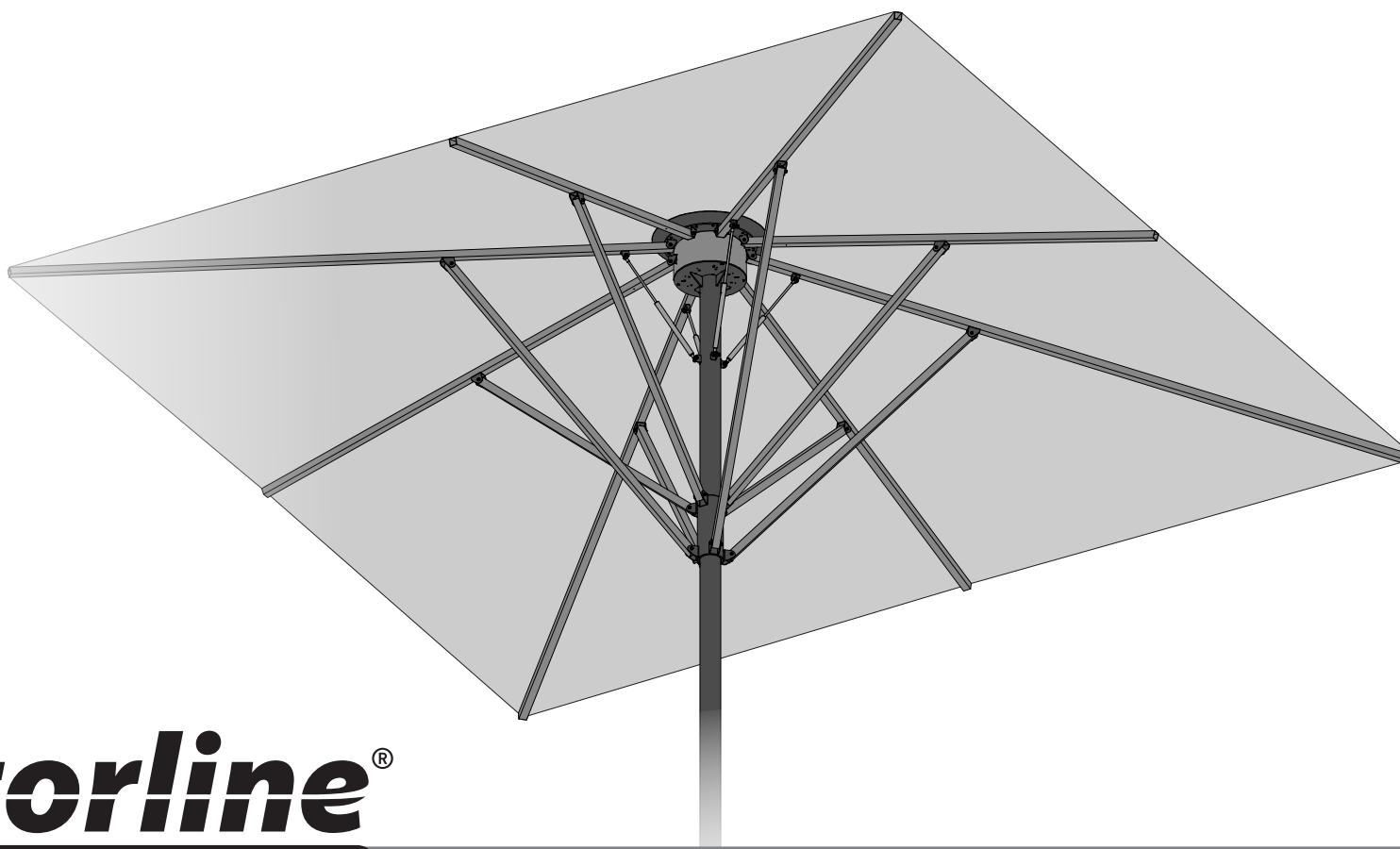




UMBRA

USER/INSTALLER MANUAL



motorline[®]
PROFESSIONAL

00. CONTENT

INDEX

01. SAFETY INSTRUCTIONS	1B
02. AUTOMATISM	
TECHNICAL CHARACTERISTICS	4A
KIT COMPOSITION	4A
DIMENSIONS	4B
03. INSTALLATION	
FIXING THE PARASOL	5
OPENING/CLOSING	6A
MANUAL UNLOCK	6B

01. SAFETY INSTRUCTIONS

ATTENTION:



This product is certified in accordance with European Community (EC) safety standards.



This product complies with Directive 2011/65/EU of the European Parliament and of the Council, of 8 June 2011, on the restriction of the use of certain hazardous substances in electrical and electronic equipment and with Delegated Directive (EU) 2015/863 from Commission.



(Applicable in countries with recycling systems).
This marking on the product or literature indicates that the product and electronic accessories (eg. Charger, USB cable, electronic material, controls, etc.) should not be disposed of as other household waste at the end of its useful life. To avoid possible harm to the environment or human health resulting from the uncontrolled disposal of waste, separate these items from other types of waste and recycle them responsibly to promote the sustainable reuse of material resources. Home users should contact the dealer where they purchased this product or the National Environment Agency for details on where and how they can take these items for environmentally safe recycling. Business users should contact their vendor and check the terms and conditions of the purchase agreement. This product and its electronic accessories should not be mixed with other commercial waste.



This marking indicates that the product and electronic accessories (eg. charger, USB cable, electronic material, controls, etc.) are susceptible to electric shock by direct or indirect contact with electricity. Be cautious when handling the product and observe all safety procedures in this manual.

01. SAFETY INSTRUCTIONS

GENERAL WARNINGS

- This manual contains very important safety and usage information. Read all instructions carefully before beginning the installation/usage procedures and keep this manual in a safe place that it can be consulted whenever necessary.
- This product is intended for use only as described in this manual. Any other enforcement or operation that is not mentioned is expressly prohibited, as it may damage the product and put people at risk causing serious injuries.
- This manual is intended firstly for specialized technicians, and does not invalidate the user's responsibility to read the "User Norms" section in order to ensure the correct functioning of the product.
- The installation and repair of this product may be done by qualified and specialized technicians, to assure every procedure are carried out in accordance with applicable rules and norms. Nonprofessional and inexperienced users are expressly prohibited of taking any action, unless explicitly requested by specialized technicians to do so.
- Installations must be frequently inspected for unbalance and the wear signals of the cables, springs, hinges, wheels, supports and other mechanical assembly parts.
- Do not use the product if it is necessary repair or adjustment is required.
- When performing maintenance, cleaning and replacement of parts, the product must be disconnected from power supply. Also including any operation that requires opening the product cover.
- The use, cleaning and maintenance of this product may be carried out by any persons aged eight years old and over and persons whose physical, sensorial or mental capacities are lower, or by persons without any knowledge of the product, provided that these are supervision and instructions given by persons with experienced in terms of usage of the product in a safe manner and who understands the risks and dangers involved.

01. SAFETY INSTRUCTIONS

- Children shouldn't play with the product or opening devices to avoid the motorized door or gate from being triggered involuntarily.

WARNINGS FOR TECHNICIANS

- Before beginning the installation procedures, make sure that you have all the devices and materials necessary to complete the installation of the product.
- You should note your Protection Index (IP) and operating temperature to ensure that is suitable for the installation site.
- Provide the manual of the product to the user and let them know how to handle it in an emergency.
- Do not install the product "upside down" or supported by elements do not support its weight. If necessary, add brackets at strategic points to ensure the safety of the automatism.
- Do not install the product in explosive site.
- Safety devices must protect any areas from crushing, cutting, transport and danger in general.
- The central must be installed on a safe place of any fluid (rain, moisture, etc.), dust and pests.
- You must route the various electrical cables through protective tubes, to protect them against mechanical exertions, essentially on the power supply cable. Please note that all the cables must enter the central from the bottom.
- If the automatism is to be installed at a height of more than 2,5m from the ground or other level of access, the minimum safety and health requirements for the use of work equipment workers at the work of Directive 2009/104/CE of European Parliament and of the Council of 16 September 2009.
- Attach the permanent label for the manual release as close as possible to the release mechanism.
- Disconnect means, such as a switch or circuit breaker on the electrical panel, must be provided on the product's fixed power supply leads in

01. SAFETY INSTRUCTIONS

accordance with the installation rules.

- If the product to be installed requires power supply of 230Vac or 110Vac, ensure that connection is to an electrical panel with ground connection.
- The product is only powered by low voltage safety with central (only at 24V motors)

WARNINGS FOR USERS

- Keep this manual in a safe place to be consulted whenever necessary.
- If the product has contact with fluids without being prepared, it must immediately disconnect from the power supply to avoid short circuits, and consult a specialized technician.
- Ensure that technician has provided you the product manual and informed you how to handle the product in an emergency.
- If the system requires any repair or modification, unlock the automatism, turn off the power and do not use it until all safety conditions have been met.
- In the event of tripping of circuits breakers or fuse failure, locate the malfunction and solve it before resetting the circuit breaker or replacing the fuse. If the malfunction is not repairable by consult this manual, contact a technician.
- Keep the area of action of the motorized runner free while it is in motion, and do not create resistance to its movement.
- Do not carry out any operations on the mechanical rotating elements if the product is in motion.

01. SAFETY INSTRUCTIONS

RESPONSABILITY

- Supplier disclaims any liability if:
 - Product failure or deformation result from improper installation use or maintenance!
 - Safety norms are not followed in the installation, use and maintenance of the product.
 - Instructions in this manual are not followed.
 - Damaged is caused by unauthorized modifications
 - In these cases, the warranty is voided.

MOTORLINE ELECTROCELOS SA.

Travessa do Sobreiro, nº29
4755-474 Rio Côvo (Santa Eugénia)
Barcelos, Portugal

SYMBOLS LEGEND:



• Important safety notices



• Useful information



• Programming information



• Potentiometer information



• Connectors information



• Buttons information

02. AUTOMATISM

TECHNICAL CHARACTERISTICS

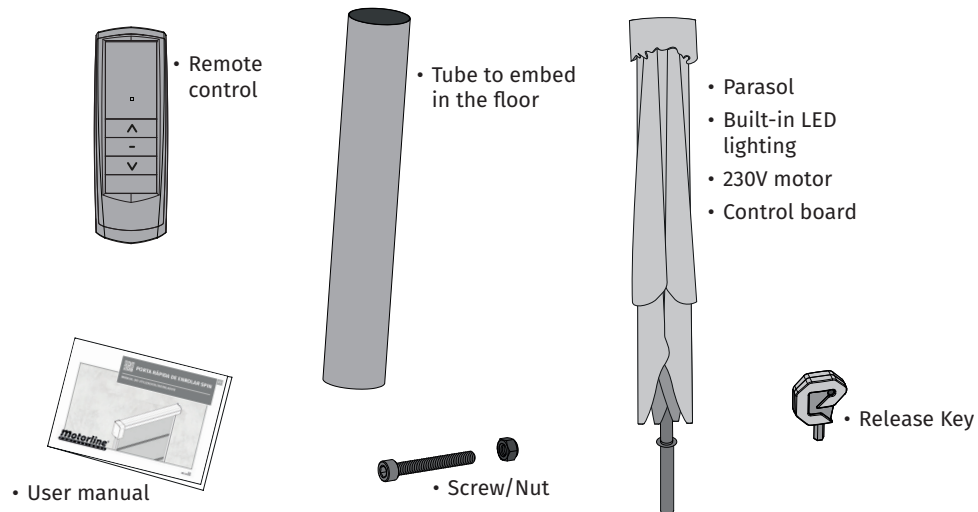
The **UMBRA** is an automatic parasol, with a metallic structure in galvanized and lacquered steel that gives it **great resistance to strong winds**.

Includes night lighting LEDs and special fabric from the Sauleda Screen 50 line, providing thermal protection and natural, refreshing shade.

	UMBRA40	UMBRA35	UMBRA30	UMBRA25
• Power supply	230Vac 50/60Hz			
• Power	230W			
• Opening time	20 sec. at 28 sec.	20 sec. at 28 sec.	13 sec. at 18 sec.	8 sec. at 13 sec.
• Opening speed	20mm/seg			
• Noise	LpA <= 50 dB (A)			
• Operating temperature	-25°C to 65°C			
• Protection class	IP54			
• Working frequency	25%			
• Capacitor	8µF			

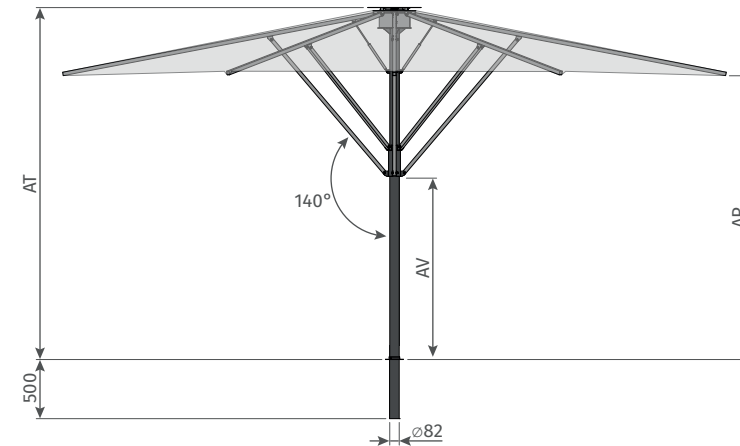
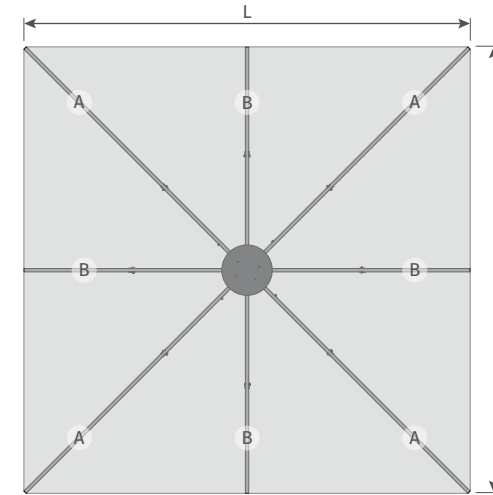
KIT COMPOSITION

The kit consists of the following components



02. AUTOMATISM

DIMENSIONS



L	AT	AV	AP
2500x2500	2455	1500	2100
3000x3000	2520	1415	2100
3500x3500	2580	1325	2100
4000x4000	2880	1485	2340

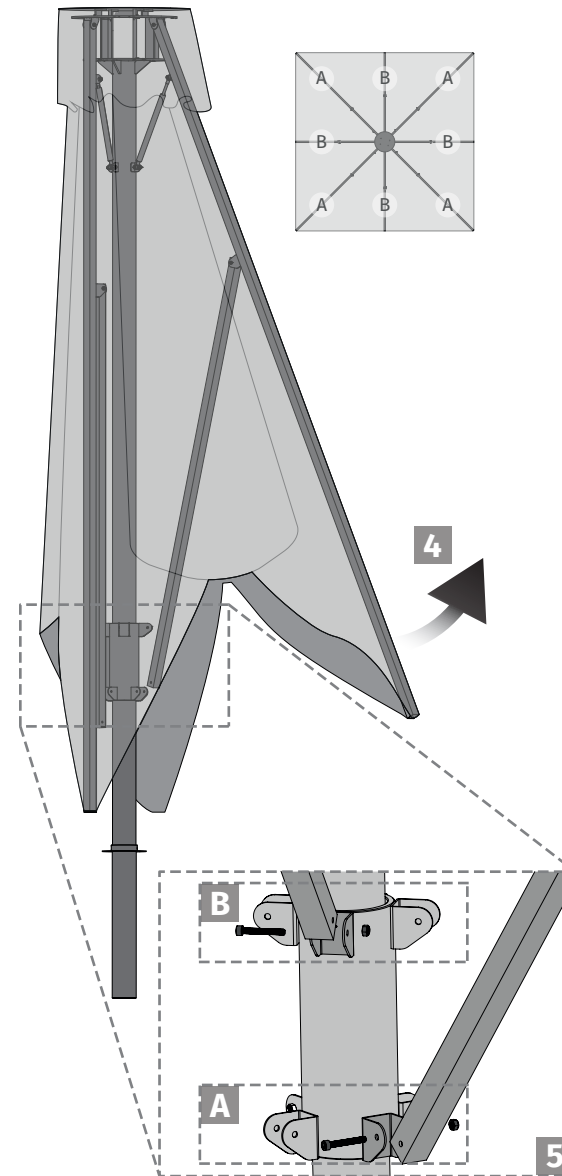
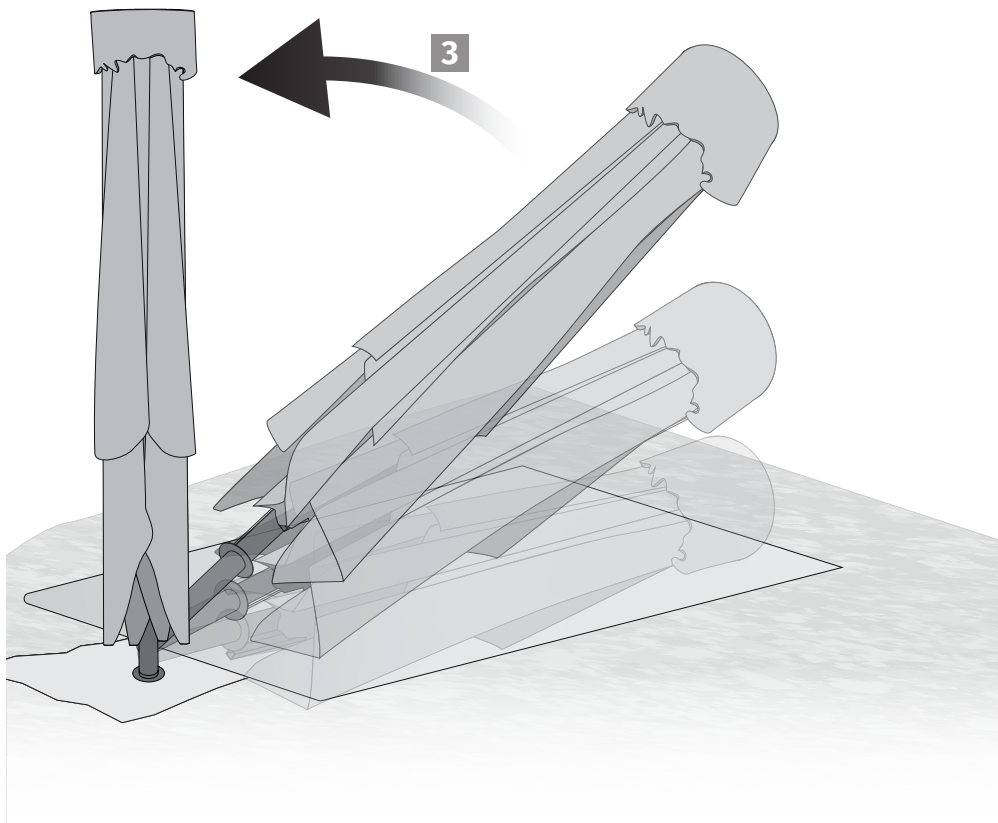
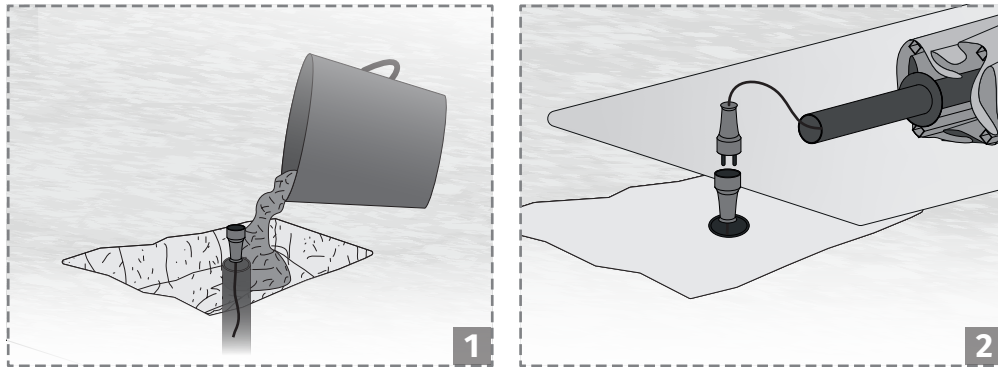
LEGENDA:

- L • Width
- AP • Passage height
- AT • Total height
- AV • Shaft height

(Dimensions in mm)


03. INSTALLATION

FIXING THE PARASOL



- 1 Make a hole in the ground.**
Dig a hole in the ground at least 500mm deep.
Place the 500mm tube supplied in the Kit in the center of the hole, leaving the power cable with power socket inside.
Fill the outside of the tube with concrete all the way around to secure it to the ground and let it dry.

- 2 Connect the power socket wires.**
Lay the parasol on the floor and plug the wires into the power socket.

 **You must place a card on the floor to protect the parasol before laying it down, so that it does not get dirty or damaged.**

- 3 Place the parasol in the built-in tube.**
After the concrete is dry, lift the parasol to the vertical position and fit it into the tube embedded in the floor.

- 4 Assembly of the ribs**
Lift the fabric ribs until you can join the stretcher to the runner.
• "A" (diagonal) ribs must be placed in the lower fittings.
• "B" (intermediate) ribs must be placed in the upper fittings.

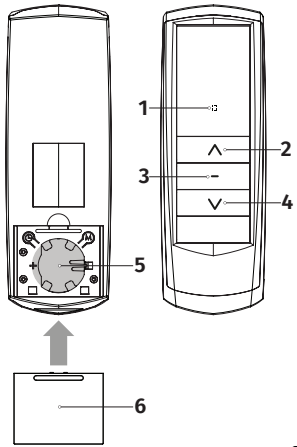
- 5 Tighten the ribs to the central shaft**
Fasten the ribs to the parasol's runner with the screws and nuts provided in the Kit.

 **Do this step with the 230V power supply turned off**

03. INSTALLATION

OPENING/CLOSING

With the power supply connected, you can now test the automatic movement of the parasol. Use the buttons on the remote control provided in the kit according to the legend below.



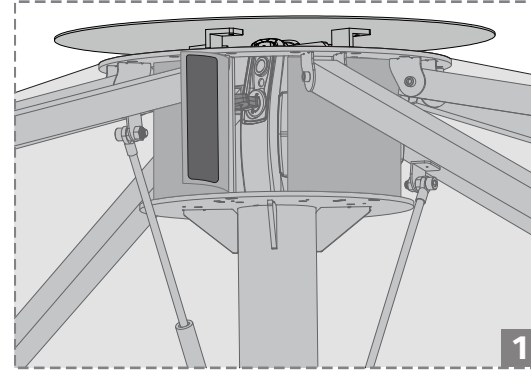
Channel	
1	Channel
2	Up/Open
3	Confirm/Stop
4	Down/Close
5	Battery
6	Cover



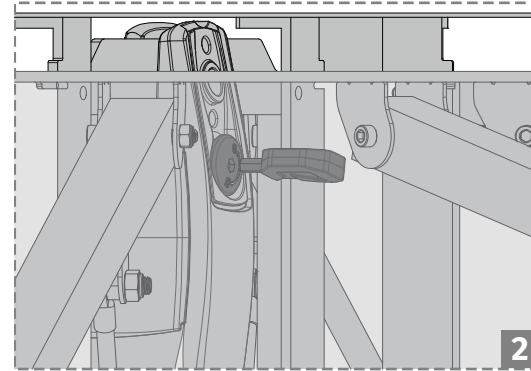
03. INSTALLATION

MANUAL UNLOCK

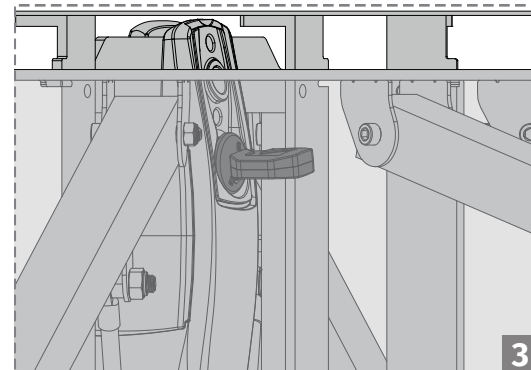
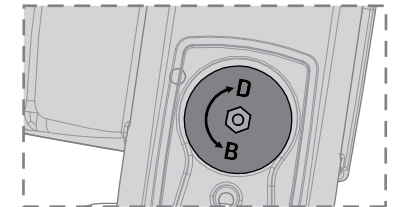
In the event of a power failure or breakdown, you can manually close the parasol to protect it from the weather.



- 1 Take off the Velcro**
Access the top of the Parasol from the inside and remove the Velcro that surrounds the motor.



- 2 Unlock the automation**
Insert the release key into the automation and turn it in direction of "D" to unlock.



- 3 Block automation**
Insert the release key into the automation and turn it in the direction of "B" to lock.

LEGEND	
D	Unlock automation
B	Lock automation

WARNING: Before unlocking the motor, you must hold the ribs, because as soon as they are released, they will close (down) due to the weight.